

AG-FL-M300

Protection class :	IP66, IK08
Beam diffusion angle:	15° or 30°.
Colour temperature :	3000K – 5000K
Colour rendering index :	70-80Ra
Power supply :	100~277 50~60 Hz
Cos Φ :	> 0.96



Two power rates available:

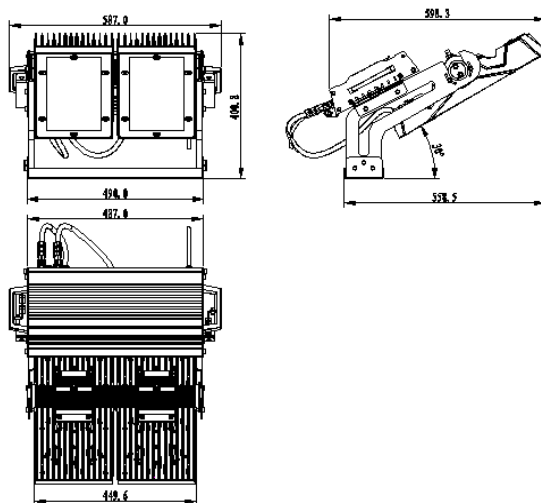
Model	Luminous flux	Dimensions	Net weight
AG-FL-M300x2	75000lm	587*559*410	26
AG-FL-M300x3	112000lm	820*559*410	37

High-end projectors, integrating components from reputable suppliers (Nichia LED, Meanwell or Inventronics power supply). Thanks to the distribution of LEDs over a large area, the glare often associated with LEDs is limited and good heat dissipation is ensured. The anodized aluminium housing and the polycarbonate lens are sturdy and have a very long service life (> 50,000 hours).

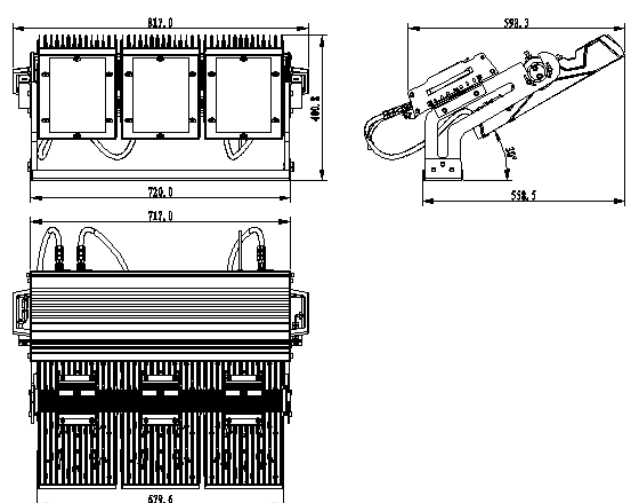
Each 300W module can be rotated individually around the horizontal axis

This lamp is guaranteed for five years. Designed for industrial and sports lighting applications, it is also certified to comply with the latest European lighting standards.

AG-FL-M300x2



AG-FL-M300x3



AG-FL-M200

Protection class :	IP66, IK08
Beam diffusion angle:	10°,15°, 30°,45°, 60° ou Asymmetric
Colour temperature :	3000K – 5000K
Colour rendering index :	70-80Ra
Power supply :	100~277 50~60 Hz
Cos Φ :	> 0.96



Three power rates available:

Model	Luminous flux	Dimensions	Net weight
AG-FL-M200x3	84000lm	529*226*340	16
AG-FL-M200x4	112000lm	419*226*680	19
AG-FL-M200x6	168000lm	529*226*680	32

High-end projectors, integrating components from reputable suppliers (Osram LED, Meanwell or Inventronics power supply). Thanks to the distribution of LEDs over a large area, the glare often associated with LEDs is limited and good heat dissipation is ensured. The anodized aluminium housing and the polycarbonate lens are sturdy and have a very long service life >50000Hrs(Ta=L70@30°C).

Each 200W module can be rotated individually around the horizontal axis.

This lamp is guaranteed for five years. Designed for industrial and sports lighting applications, it is also certified to comply with the latest European lighting standards.

AG-FL-M200x3

