

Your partner for next-generation lighting

HB01

Protection class :	IP65
Beam diffusion angle :	50°/90°/120°
Colour temperature :	3000K – 5000K
Colour rendering index :	>73Ra
Power supply :	110~277 50~60 Hz
Cos Φ :	> 0.93
Product colour :	Black / grey



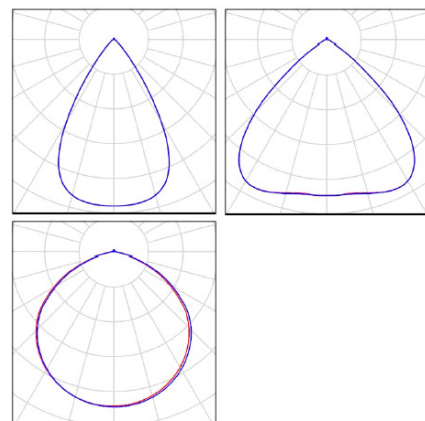
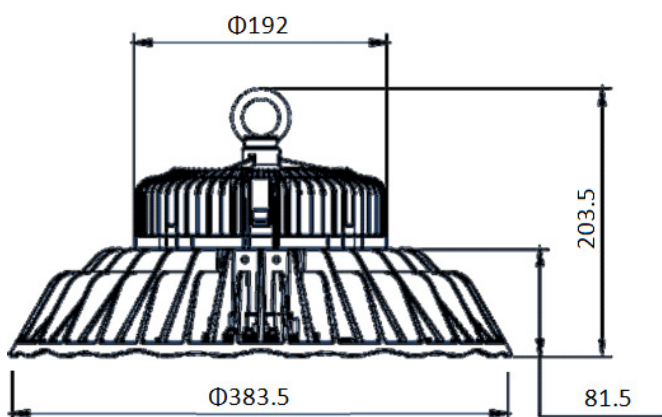
Five power rates available :

Model	Luminous flux	Dimensions	Net weight
HB01-100W	14000 lm	383×182×383mm	5.7 kg
HB01-150W	21000 lm	383×182×383mm	5.7 kg
HB01-200W	28000 lm	383×201×383mm	6.3 kg
HB01-240W	36000 lm	383×204×383mm	7.3 kg
HB01-300W	45000 lm	383×257×383mm	9.0 kg

High quality LED projectors, integrating components from reputable suppliers (Nichia LED, Meanwell power supply). Thanks to the distribution of LEDs over a large area, the glare often associated with LEDs is limited and good heat dissipation is ensured. The anodized aluminium casing and the polycarbonate lens are sturdy and have a very long service life (50,000 hours).

Available as option: - ZigBee or DALI variable plus an extensive range of control and mounting accessories.

This lamp is guaranteed for five years, for heavy duty lighting applications, it is also certified to the latest European lighting standards.



Your partner for next-generation lighting

HB17

Protection class :	IP65
Beam diffusion angle :	15°-120°
Colour temperature :	3000K – 5000K
Colour rendering index :	>73Ra
Power supply :	110~277 50~60 Hz
Cos Φ :	> 0.93
Product colour :	Black



Two power rates available :

Model	Luminous flux	Dimensions	Net weight
HB17-450W	72000 lm	Φ 454×244mm	12.0 kg
HB17-600W	96000 lm	Φ 454×244mm	13.0 kg

High quality LED projectors, integrating components from reputable suppliers (Osram LED, Inventronics power supply). Thanks to the distribution of LEDs over a large area, the glare often associated with LEDs is limited and good heat dissipation is ensured. The anodized aluminium casing and the polycarbonate lens are sturdy and have a very long service life (50,000 hours).

Available as option: - Variable plus an extensive range of control and mounting accessories.

This lamp is guaranteed for five years, for heavy duty lighting applications, it is also certified to the latest European lighting standards.

